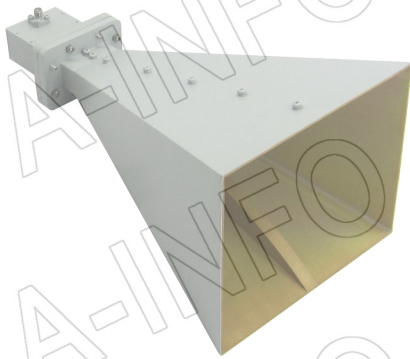


For reference only. See data sheet for the detailed specifications.

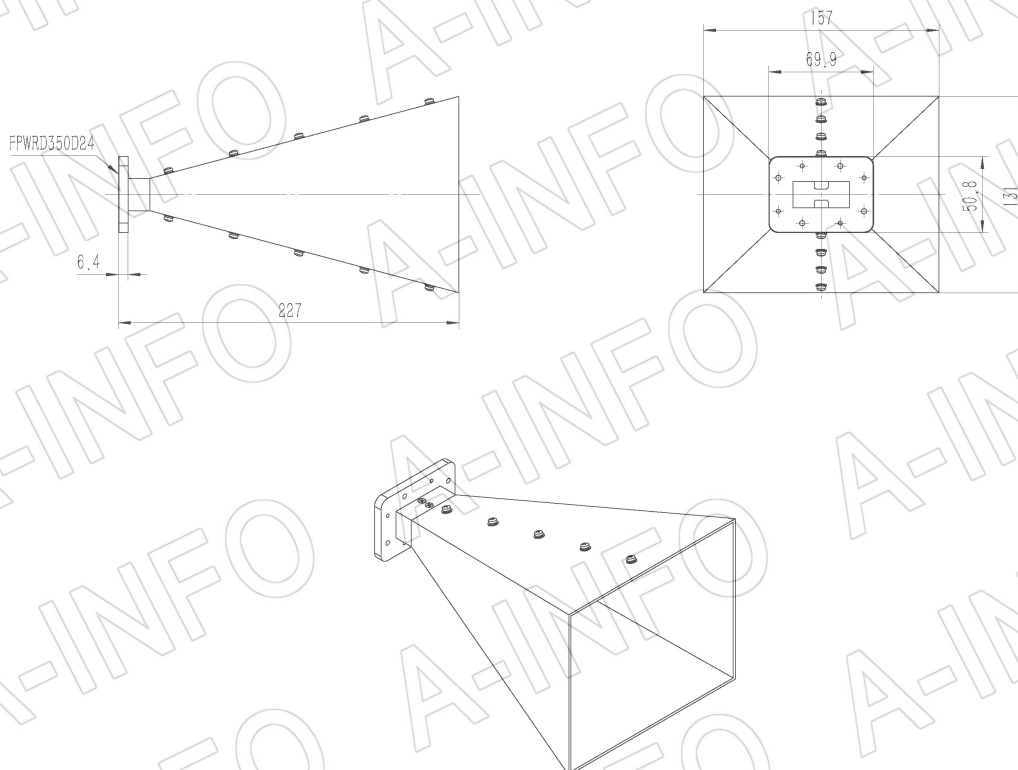
Technical Specification



Frequency Range(GHz)	3.5 – 8.2
Gain(dB)	15 Typ.
Polarization	Linear
3dB Beamwidth(deg)	E Plane: 33 - 19
	H Plane: 37 - 19
Cross Pol. Isolation(dB)	25 Typ.
VSWR	1.50:1 Typ.
Output	A Type: FPWRD350D24
	C Type: SMA-Female N-Female
Power Handling(W CW)	SMA-Female: 50 Max.
	N-Female: 150 Max.
Material	Al
Finish	Chemical Conversion Coating, Gary Paint
Size(mm)	A Type: 157 x 131 x 227
	C Type: 157 x 131 x 284.7
Net Weight(Kg)	A Type: 0.35 Around
	C Type: 0.55 Around

Outline Drawing (Size: mm)

FPWRD350D24 Output (P/N: LB-3582-15-A)



AINFO Inc.

China(Beijing): Tel: (+86) 10-6266-7326,
China(Chengdu): Tel: (+86) 28-8519-2786,
USA: Tel: (+1) 949-639-9688,

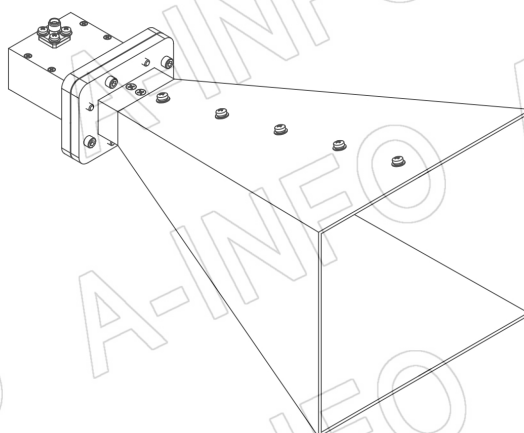
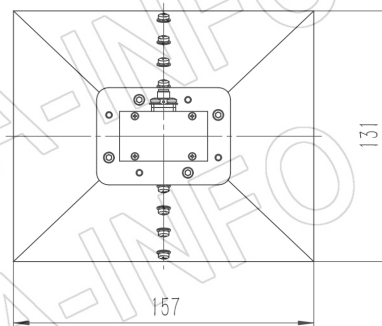
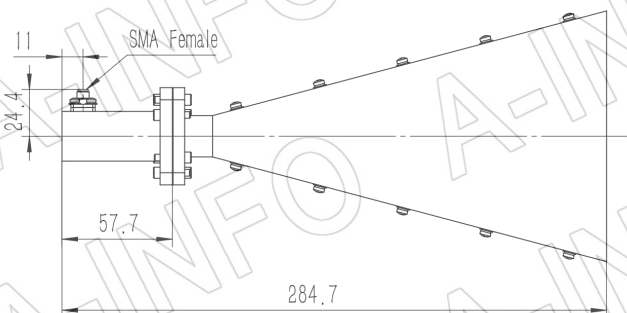
Page 1 of 7

(+86) 10-6266-7327 Fax: (+86) 10-6266-7379
(+86) 28-8519-3044 Fax: (+86) 28-8519-3068
(+1) 949-639-9608 Fax: (+1) 949-639-9670

Website: www.ainfoinc.com
Email: sales@ainfoinc.com

SMA-Female Output (P/N: LB-3582-15-C-SF)

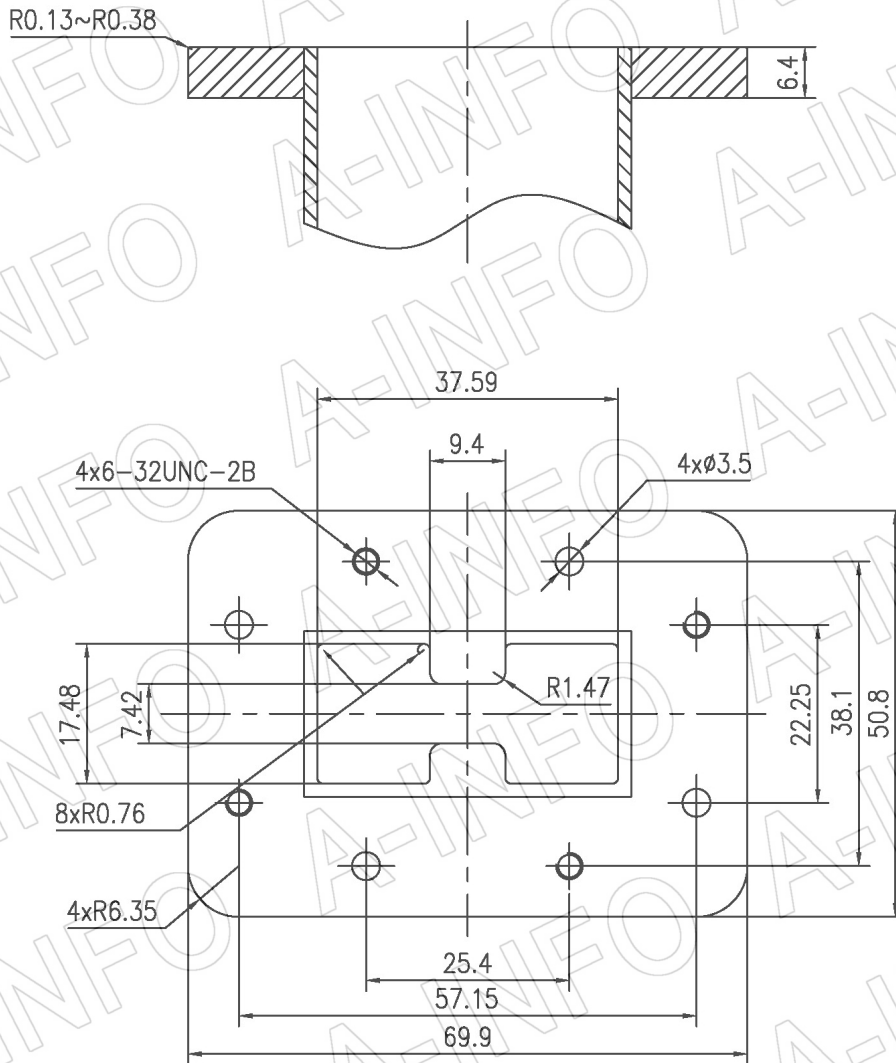
For N-Female output outline drawing, please contact A-INFO.



Flange Drawing (Size: mm)

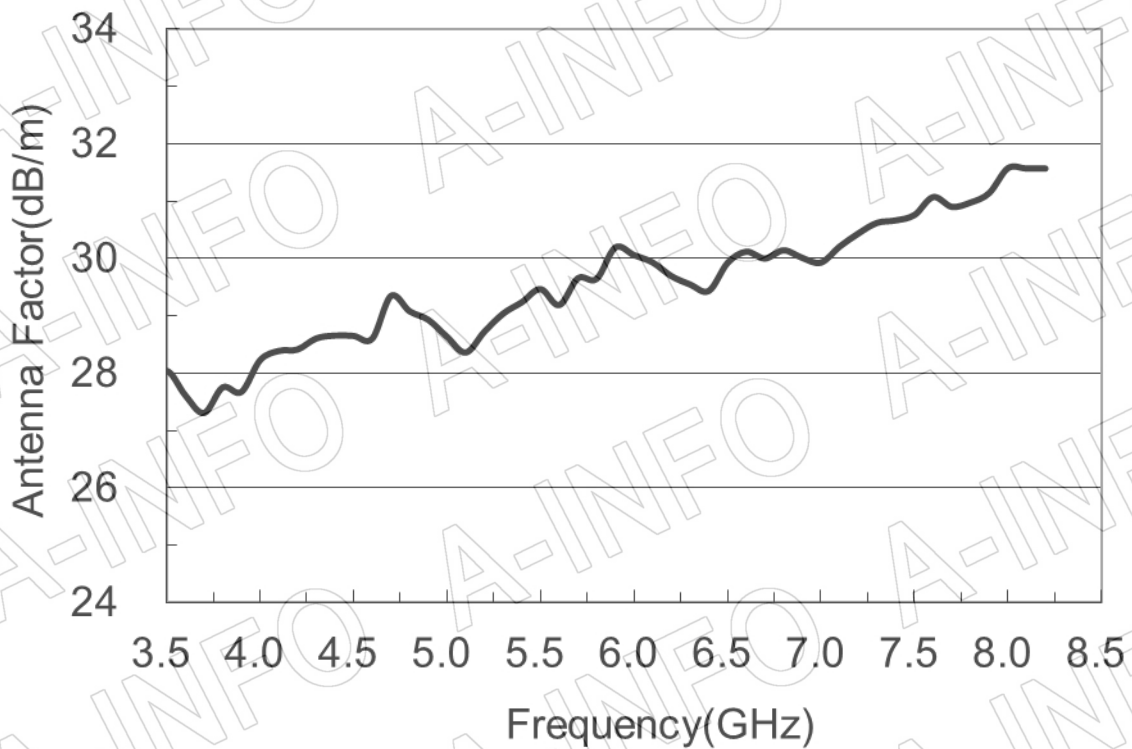
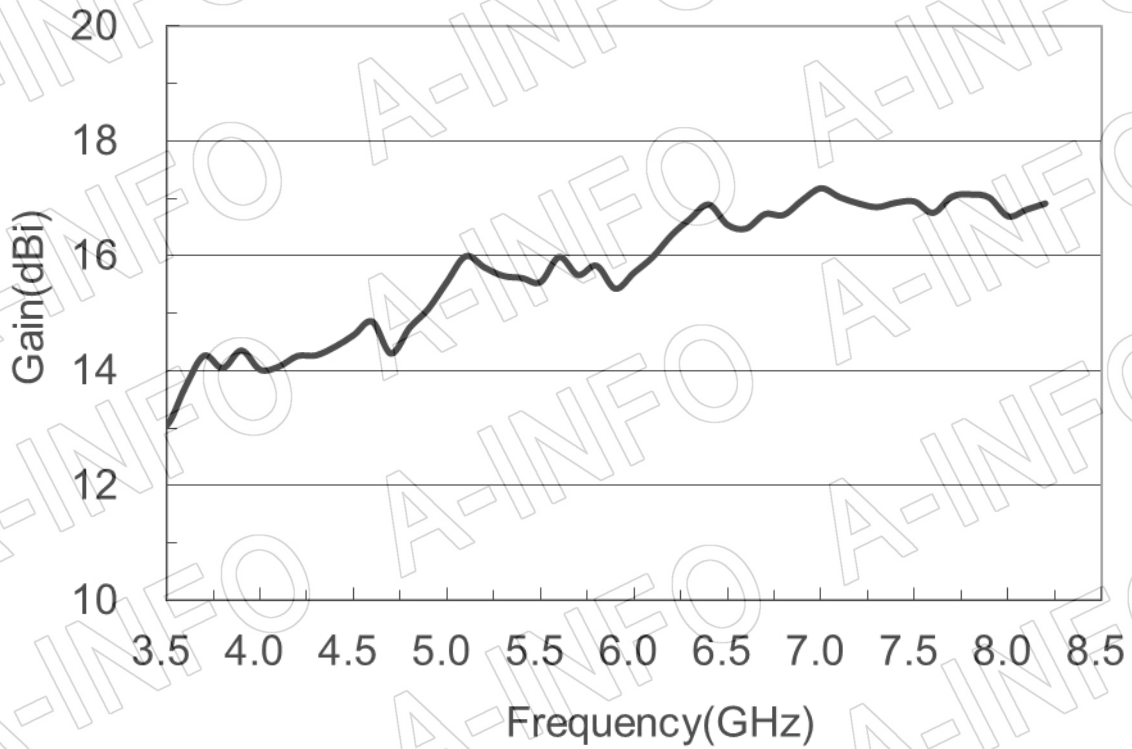
FPWRD350D24

(With four through mounting holes
and four screws holes)

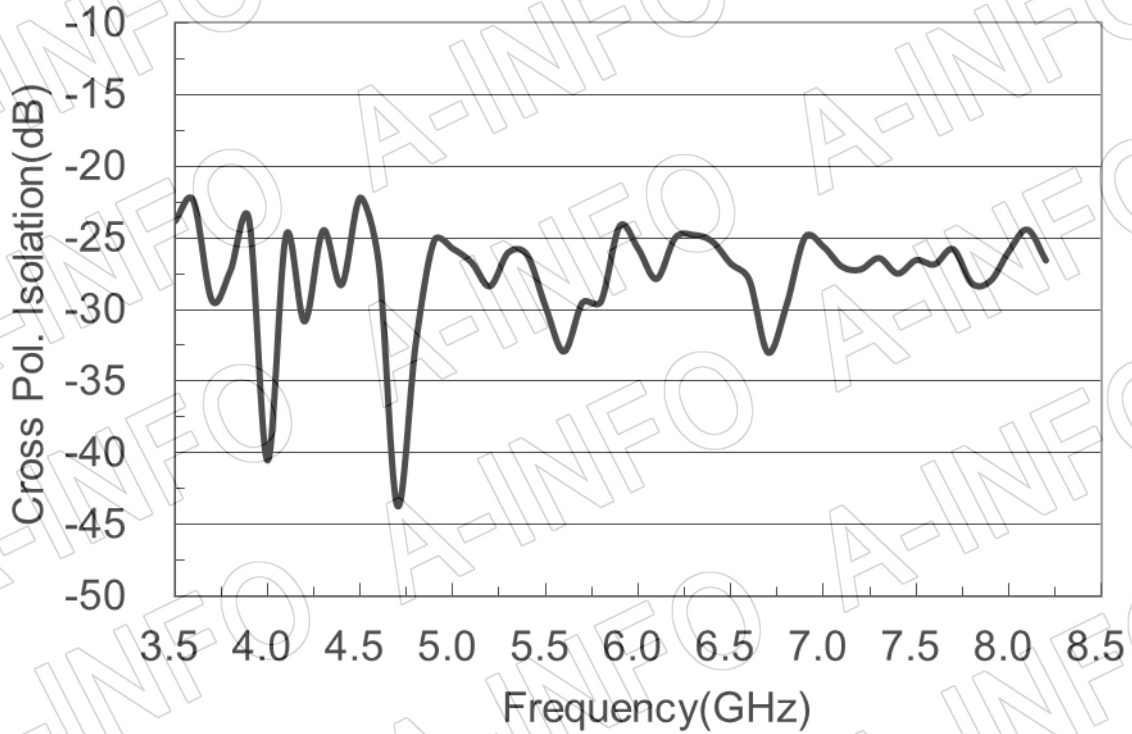


Test Results

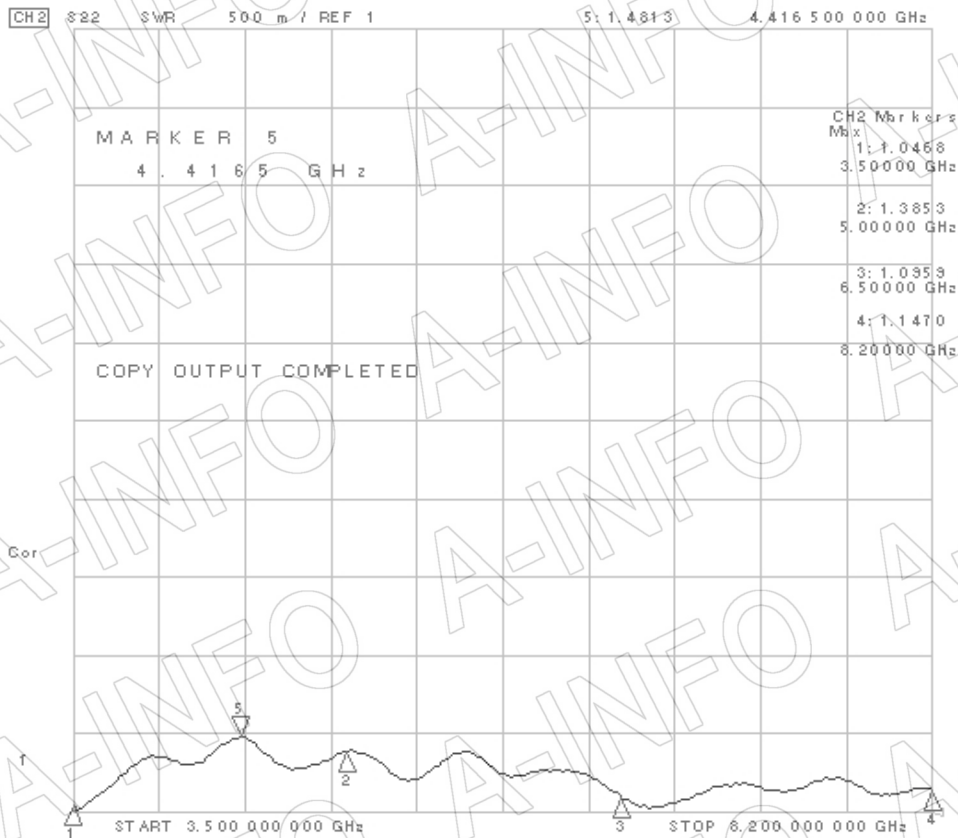
1. Gain & Antenna Factor



2. Cross Polarization Isolation



3. VSWR



4. Pattern

